



Original Operating Manual-Supplement

For DA2 battery nut runner

Type DA2 SST Version 2.0

Function: Safety Start Trigger



Store for future reference

Contents

Contents	2
1 Identification.....	3
1.1 Manufacturer.....	3
1.2 Product identification	3
1.3 Document identification	3
2 Notes	4
2.1 Purpose of the document	4
2.2 Explanation of the terms and abbreviations used	4
3 Description of the machine.....	4
3.1 Design and components of the machine	5
3.2 Controls on the tool	5
3.3 Technical specifications.....	6
3.4 Other applicable documents and operating manuals.....	7
4 Scope of delivery	7
5 Operation of the tool.....	7
6 Impermissible applications	8

1 Identification

1.1 Manufacturer

Manufacturer: Maschinenfabrik Wagner GmbH & Co. KG
Street: Birrenbachshöhe 17
Place: 53804 Much, Germany
Phone: +49 (2245) 62-0
Fax: +49 (2245) 62-22
Email: info@plarad.de
Internet: www.plarad.de

1.2 Product identification

This supplement serves as a complement to the operating manual for the “Battery Nut Runner DA2” and refers to the use of a second grab handle with start button as a “safety start trigger”.

Machine designation: Battery nut runner
Type designation: DA2-05 SST 2.0
DA2-10 SST 2.0
DA2-30 SST 2.0
DA2-36 SST 2.0
DA2-48 SST 2.0

1.3 Document identification

PA No.	Version	Date	Reason for change / comments
79106	1.0	29.10.2020	Initial version / MS/PW

File path: 2_BA_DA2 SST 2.0_GBR_V1.0_79106

2 Notes

2.1 Purpose of the document

This supplement is supposed to be used in combination with the operating manual for a battery-powered PLARAD nut runner of type DA2 and refers exclusively to the function of the two-hand safety system named "SST".

2.2 Explanation of the terms and abbreviations used

SST Safety Start Trigger: We have designed this feature as a safety system that can only be put into operation by the user's actuation of grab handles A and B with both hands.

Tampering with this feature by bypassing the safety system using other tools or body parts or by activation with two people at the same time can result in serious injuries.



Danger!

3 Description of the machine

Illustration and identification

The battery nut runner is identified by its type plate.

The position of the type plate is found in the illustration below:



Type plate

The following specifications are given on the type plate:

- Company name including complete address
- Machine designation:
- Type designation:
- Item or Serial no.:
- Maximum torque:
- Year of manufacture:
- Weight:
- CE mark

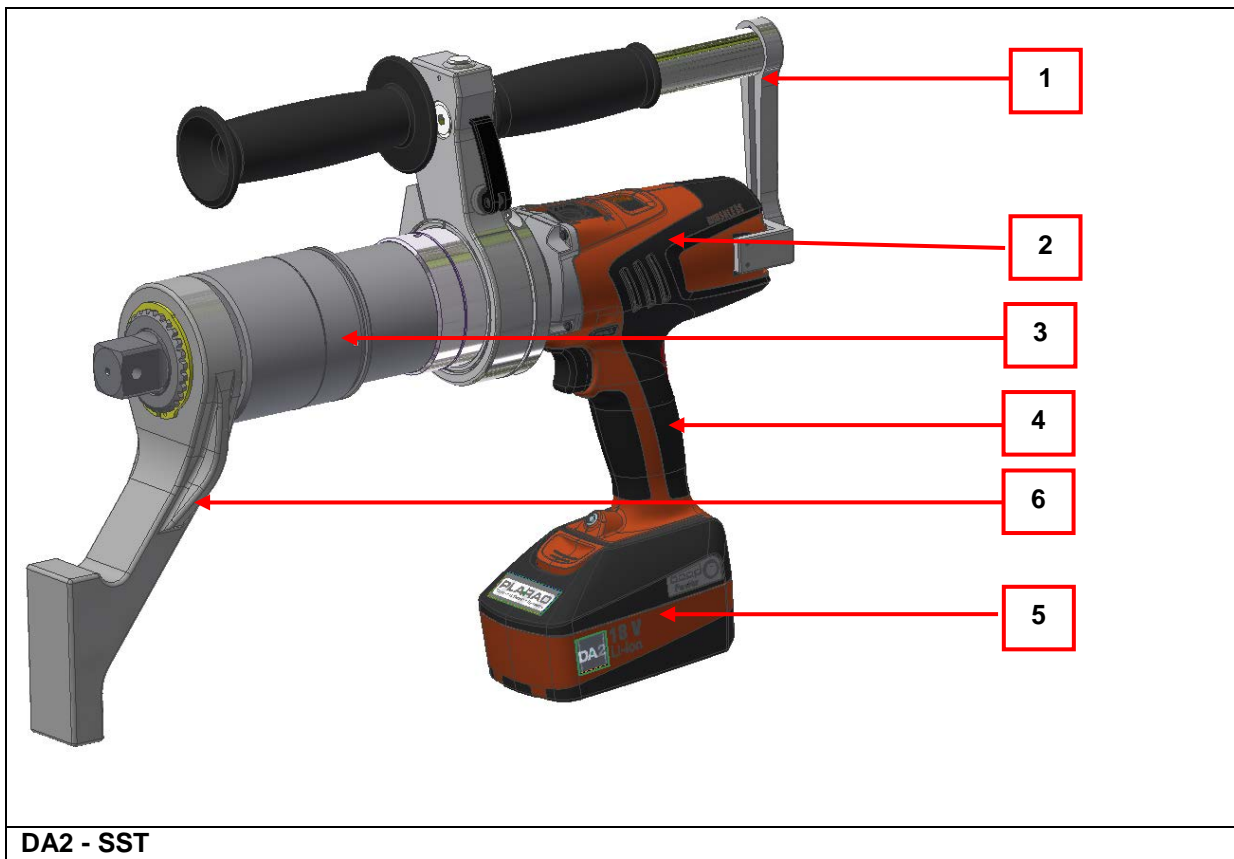


Note the mains voltage and frequency stated on the charger!



Attention!

3.1 Design and components of the machine



DA2 - SST

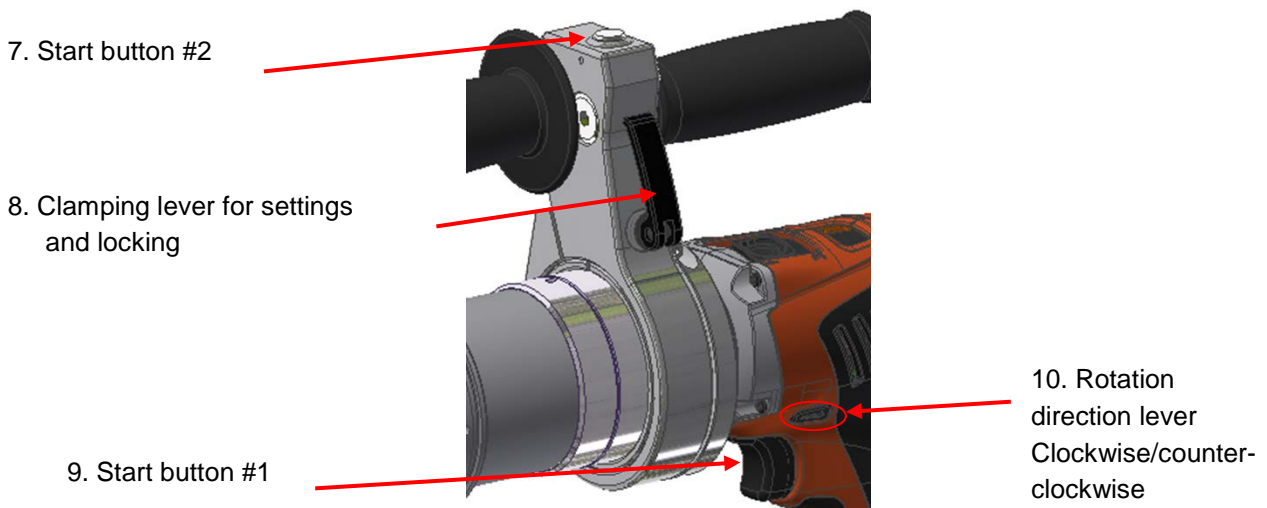
Tool components:

1. Grab handle B
2. Drive
3. Planetary gearbox
4. Grab handle A
5. Battery

Accessories:

6. Reaction arm



3.2 Controls on the tool





3.3 Technical specifications

Dimensions:	see technical data sheet
Weight:	see type plate
Range of capacity:	see included torque table
Mains voltage - charger:	220 – 240 V/50-60 Hz 100 - 120 V/50-60 Hz
Voltage - battery pack:	18 V
Capacity - battery pack:	5.2 (standard) or 6.0 Ah
Weight - battery pack:	0.8 kg
Protective insulation:	Protection rating IP 20
Ambient temperature:	0° C ≤ T ≤ 45° C
Emission values according to EN 60745:	
Sound pressure level:	77dB(A) to short-term 82 dB(A)
Vibration emission value:	Ah < 2.5 m/s ²

Allow the tool to warm up for 10 minutes in temperatures below 0°C!	 Attention!
The technical specifications of accessories and the safety data sheets must be observed as well!	 Attention!

3.4 Other applicable documents and operating manuals

- Operating Manual “Battery Nut Runner DA2“
- EU safety data sheet Klübersynth GE – 151

Since the tool contains a lithium-ion battery, the following documents must be observed for transport:

- ADR - EU regulations on the Carriage of Dangerous Goods by Road
- IATA/DGR - Dangerous Goods Regulations/Technical Instructions (IATA/ICAO) in aviation
- Material Safety Data Sheet for lithium-ion batteries

4 Scope of delivery



- Electric nut runner, ready for operation
- Charger
- 2 battery packs
- Operation Manual DA2 Battery Nut Runner plus “SST” supplement, torque tables, EC Declaration of Conformity (within the EU), optional test certificate
- CD-ROM containing product information
- LED light

5 Operation of the tool



Follow the operating manual for the PLARAD battery nut runner of type DA2.

Place the tool onto the bolting application, making sure not to pinch your fingers. Release the clamping lever and align the tool with the second grab handle before fixing it in place.

<p>Before starting up the tool, verify that grab handle B is properly aligned and locked in place.</p>	 Attention!
<p>The basic idea behind this safety system is to require the worker to use both hands for starting up the tool, excluding the possibility of the tool starting up inadvertently.</p>	 Danger!

- The tool will not work unless both hands of the worker are on the grab handle and keep the switches depressed.
- Once one of the two switches is released, the tool will stop and cannot be restarted again. A restart requires that the second switch be released first.
- Only then can the tool be restarted by pressing and holding both switches again.

For further information on how to operate the tool, e.g. on how to adjust the torque, refer to the operating manual of the DA2 battery nut runner.

6 Impermissible applications

It is not permissible to

- fix the buttons in place using tools such as adhesive tape, cable ties, etc.
- activate the tool with the help of a second person.
- press the buttons with other body parts such as arms, legs, etc.