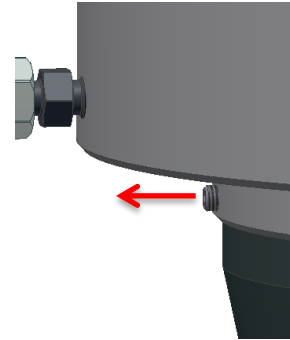


SE 110 - Modifications for M80 bolts

ATTENTION!! Max Pressure using the M80 bolt adapter is 350bar!!!



Step 1: unscrew the threaded pin 2-3mm



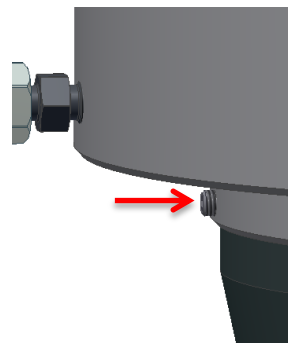
Step 2: lift up the hydraulic unit



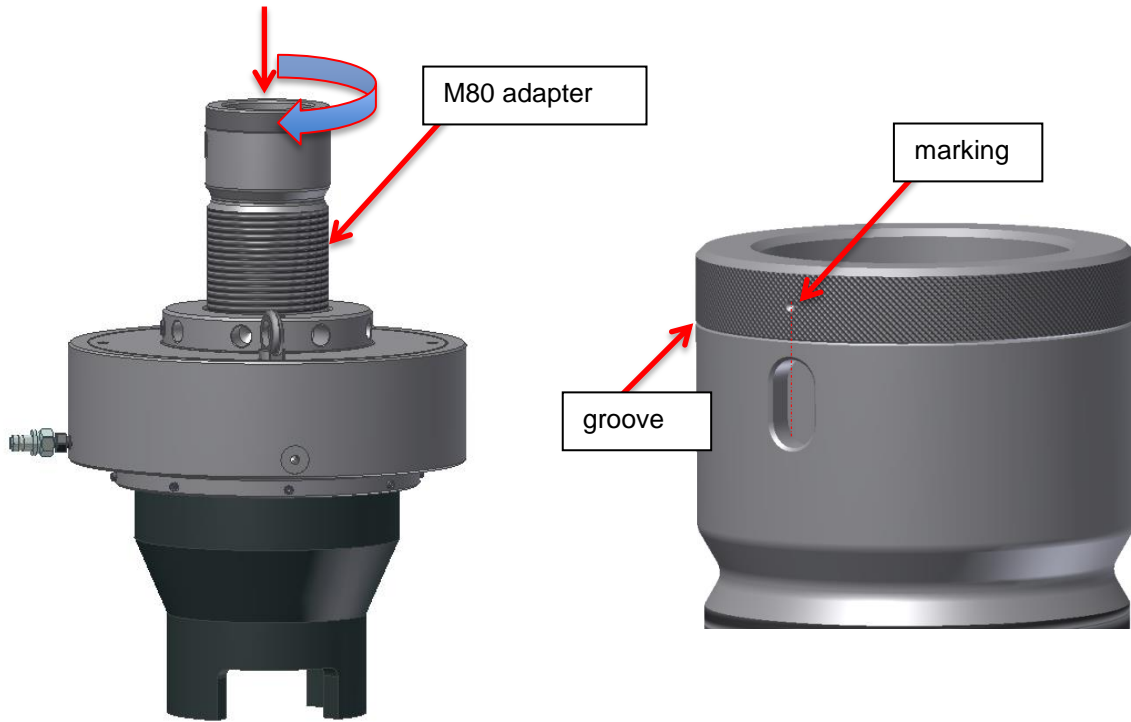
Step 3: change bridge



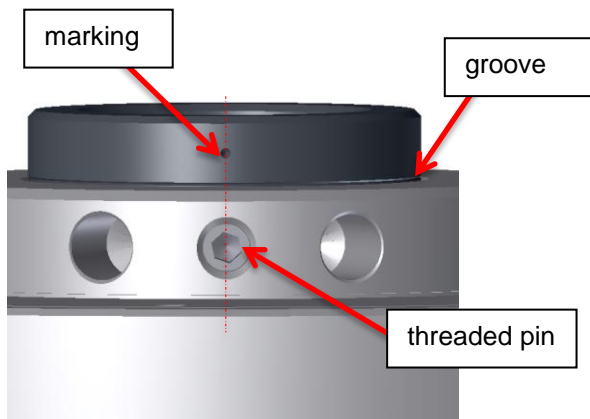
Step 4: put the hydraulic unit on the bridge



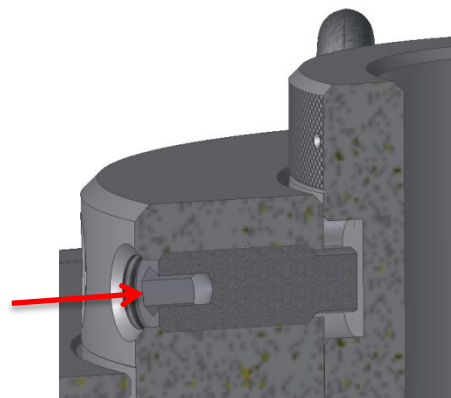
Step 5: screw in the threaded pins



Step 6: screw in the M80 thread adapter



Step 7: screw in the adapter until the groove flushes with the top face of the puller (\pm one turn). The marking has to be in line with the threaded pin



Step 8: screw in the threaded pin to locate the adapter in position